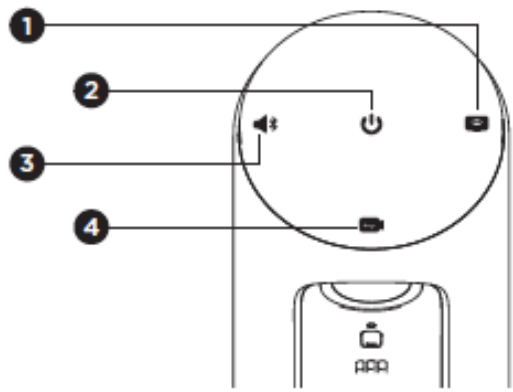
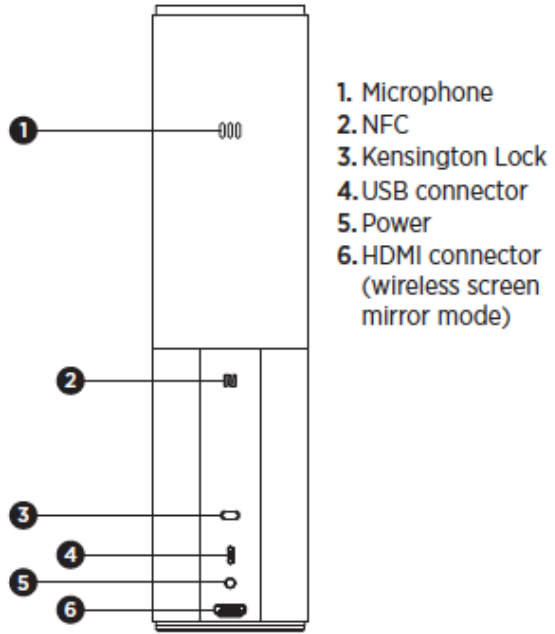
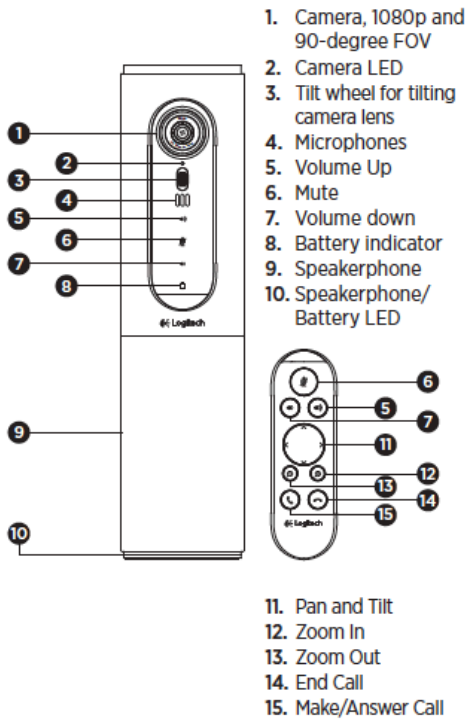


Logitech Conference Connect Quick Start Guide

Diagrams



1. Wireless screen mirror mode
2. Power On/Off button
3. Bluetooth mode
4. Video conferencing mode

Note: If you are the organizer of a video conference call using Skype for Business, Teams or any other video conferencing software, please ensure participants have been sent a meeting link to access the call. Participants should also be asked to test the meeting link prior to the meeting to ensure that their system is working correctly. For details on how to create video meetings links in Skype for Business or MS Teams please see the videos and PFD's on the ISS Web page.

Connecting the Camera to your Computer

1. Connect the provided USB cable to the USB connector on the rear of the device, and then insert the USB into your computer
2. Connect the provided power cable into the rear of the device and plug the power cable into an outlet (Note the power cable is optional as the device has an internal battery, however we recommend you keep it plugged in to prevent the battery dying during a call)
3. Power on the device by pressing the Power On/Off button on the top
4. Press the Video conferencing mode button to turn on the camera and microphone
5. Remove the lens cover, the cover also serves as a remote control for the camera
6. Once the conference connect camera is connected to your computer and powered on it will be available to be used by your system in your video conference call.
7. By default your system may choose to use its built-in web camera or microphone, to select the conference connect log into your meeting. To resolve this access the settings with in the call and select Device Settings, then select the Logitech Conference Camera options. A video of how to resolve this issue is available at: https://www.unb.ca/saintjohn/iss/services-facstaff/video_conference.html

At the End of Your Call

1. Exit the meeting room
2. Power off the conference connect camera
3. Disconnect the power cable form the outlet and the device
4. Disconnect the USB cable from your computer and the device
5. Place the two cables, camera with lens cover remote, and user guide back in the case and return it to the Hans W. Klohn Commons